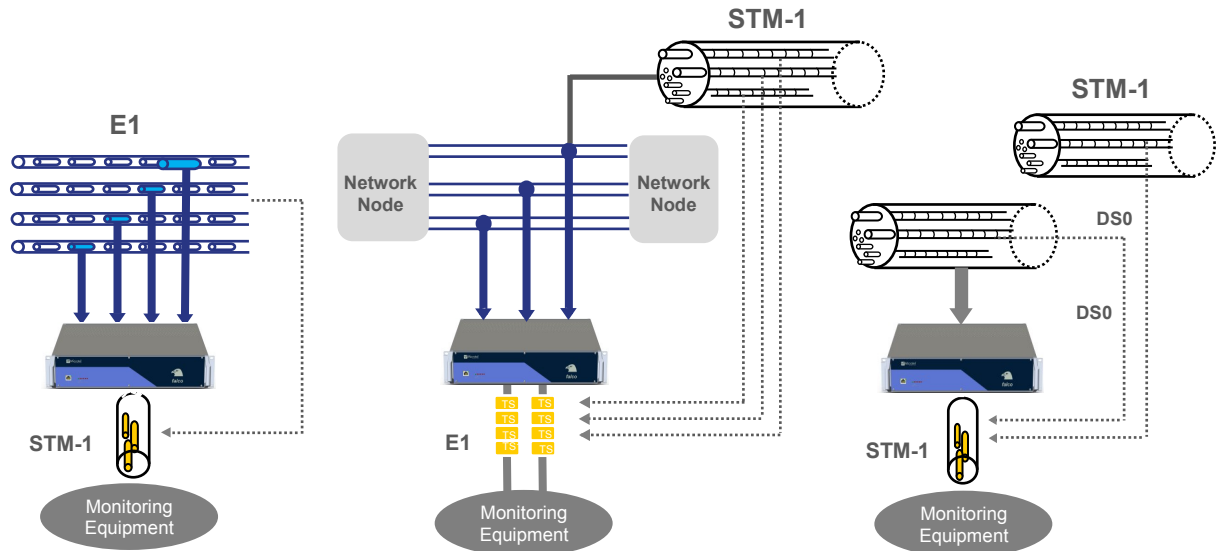


Electrical to Optical, Optical to Electrical, Optical to Optical

Broadband filter and groomer

Microtel's Quality & Best Price!

Falco F-330 is a versatile network access unit designed to interface PDH/SDH-SONET backbones with different monitoring equipments. F-330 combines several access technologies into one intelligent platform and is available in 3 versions: electrical input to optical output, optical input to electrical output, optical input to optical output.

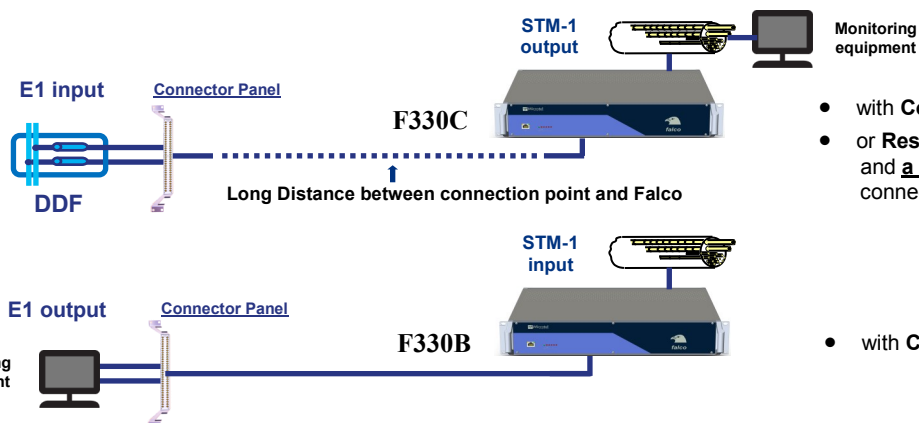


F-330C: electrical to optical

F-330B: optical to electrical

Falco F-330D: optical to optical

| FEATURES | BENEFITS |
|---|---|
| <p>Broadband Groomer Extracts DS0 or a combination of DS0's from multiple E1 or STM-1 (input) and delivers them to multiple STM-1 or E1 ports (output).</p> <p>Broadband Filter Extracts desired VPI/VCI from multiple E1 or STM-1 (input) and delivers to STM-1 or multiple E1 (output). Supports IMA: Inverse Multiplexing for ATM.</p> <p>Constant Monitoring with APS Supports APS (Automatic Protection Switching): if one or more active links fail, the monitoring equipment continues to receive data from a protected link (redundant links are often deployed to provide fault tolerance).</p> | <p>Reduce Cabling Costs Falco 330C/B can be connected to the E1 lines in 2 different ways:</p> <ul style="list-style-type: none"> F330C (input): <ul style="list-style-type: none"> with Resistor Panel: if (PMP) Protected Monitoring Point IS NOT available with Connector Panel (with PMP) or Resistor Panel (without PMP) and <u>a long distance</u> between connection point and Falco F330B (output): with Connector Panel. <p>Get Flexibility: supporting E1/STM-1 links and IMA: Inverse Multiplexing for ATM.</p> <p>Get Redundancy: with APS (Automatic Protection Switching): uninterrupted monitoring access is provided.</p> |



- with **Connector Panel** (with PMP)
- or **Resistor Panel** (without PMP) and a long distance between connection point and Falco
- with **Connector Panel**

Electrical to Optical, Optical to Electrical, Optical to Optical

Technical features

F-330C/B/D front view

F-330C rear view

F-330B rear view

F-330D rear view



| Model | F-330C | F-330B | F-330D |
|---|---|---|--|
| Front view | | | |
| 1 power status and 5 alarm status leds | power led green: ON; alarm leds red: (device or single power supply or fan) failure | power led green: ON; alarm leds red: (device or single power supply or fan) failure | pwd led green:power ON; alarm leds red: (device or single power supply or fan) failure |
| Supervisory port | RS-232, RJ45 | RS-232, RJ45 | RS-232, RJ45 |
| Rear view | | | |
| Input ports | 8 SCSI for total 128 E1 input | 12 SFP cages for total 6 STM-1 input | 24 SFP cages for total 12 STM-1 input |
| Output ports | 4 SFP cages for total 2 STM-1 input | 8 SCSI for total 128 E1 output | 4 SFP cages for total 2 STM-1 output |
| Console/serial port | 1 RS-232, RJ45 | 1 RS-232, RJ45 | 1 RS-232, RJ45 |
| Management /Network LAN ports | 2 RJ45; 10/100/1000 | 2 RJ45; 10/100/1000 | 2 RJ45; 10/100/1000 |
| ON/OFF switch | for each redundant power supply AC/DC, with led power status | for each redundant power supply AC/DC, with led power status | for each redundant power supply AC/DC, with led power status |
| Part number | | | |
| Input: 32 E1 (64 Rx) , SCSI connectors Output: 2 STM-1 singlemode (4 fibers Tx) | F-330C-32E-2AS/Lc-z | | |
| Input: 64 E1(128 Rx), SCSI connectors Output: 2 STM-1 singlemode (4 fibers Tx) | F-330C-64E-2AS/Lc-z | | |
| Input: 128 E1 (256 Rx), SCSI connectors Output: 2 STM-1 singlemode (4 fibers Tx) | F-330C-128E-2AS/Lc-z | | |
| Input: 2 STM1 singlemode (4 fibers Rx) Output: 16 E1 (32 Tx), SCSI connectors | | F-330B-2AS-16E/Lc-z | |
| Input: 2 STM1 singlemode (4 fibers Rx) Output: 32 E1 (64 Tx), SCSI connectors | | F-330B-2AS-32E/Lc-z | |
| Input: 4 STM1 singlemode (8 fibers Rx) Output: 32 E1 (64Tx), SCSI connectors | | F-330B-4AS-32E/Lc-z | |
| Input: 4 STM1 singlemode (8 fibers Rx) Output: 64 E1 (128Tx), SCSI connectors | | F-330B-4AS-64E/Lc-z | |
| Input: 6 STM1 singlemode (12 fibers Rx) Output: 64 E1 (128Tx), SCSI connectors | | F-330B-6AS-64E/Lc-x | |
| Input: 6 STM1 singlemode (8 fibers Rx) Output: 128 E1 (256Tx), SCSI connectors | | F-330B-6AS-128E/Lc-z | |
| Input: 4 STM1 singlemode (8 fibers Rx) Output: 2 STM1 singlemode (4 fibers Rx) | | | F-330D-4AS-2AS/LL-z |
| Input: 8 STM1 singlemode (16 fibers Rx) Output: 2 STM1 singlemode (4 fibers Rx) | | | F-330D-8AS-2AS/LL-z |
| Input: 12 STM1 singlemode (24 fibers Rx) Output: 2 STM1 singlemode (4 fibers Rx) | | | F-330D-12AS-2AS/LL-z |
| c option: select type of input /output connector panel (RJ45 or 75 ohm coax or 75 ohm BNC) | | z option: select redundant power AC or DC | |

Management

- WEB based GUI
- Management interface
 - 1 Serial Control Port
 - 2 Ethernet LAN ports

Operating

- Operating temperature: 0°C to 45°C
- Storage temperature: -20°C to 70 °C
- Relative humidity: up to 90% not condensing

Power

- 110-220 Vac 50-60 Hz power module
- 36-72 Vdc power module
- Default redundancy
- Max consumption (fully equipped)150 W

Dimensions

- Chassis 2U surface or 19" rack mount 482,6 mm W, 437 mm D, 88 mm H
- Weight: full equipped 17.6 pounds (8 kg)



Registered Office & Headquarters

Branch Offices