

HSL and LSL E1 links

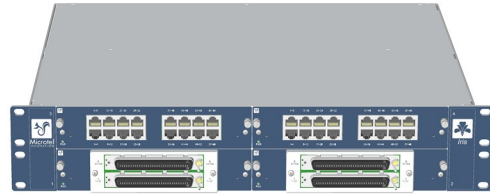
High density matrix switch and groomer

Microtel's Quality & Best Price !

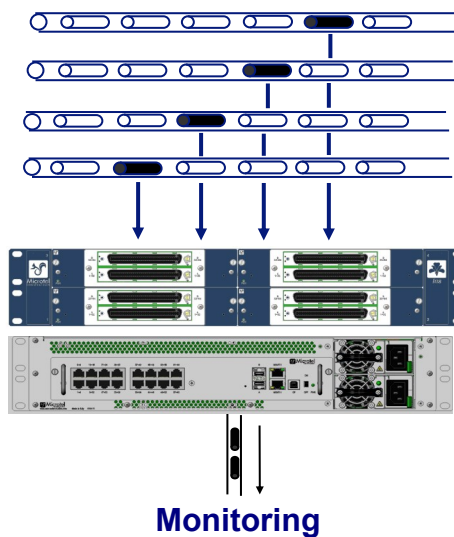
FEATURES

- Input: up to **32 or 128 E1** (depending on model)
- Output: up to **8 or 32 E1** (depending on model)
- E1/DS0 grooming
- Real time statistics
- Web GUI for configuration and management
- **Easy wiring** with Connector or Resistor Panel

I-360E model



E1/DS0 Grooming



Iris 360E & Iris 310E are a family of high density **E1** matrix switches and groomers, specifically designed to optimize monitoring, reducing network connections and cabling costs.

They can extract any **DS0** from any input link and deliver it to any of the output monitoring ports.

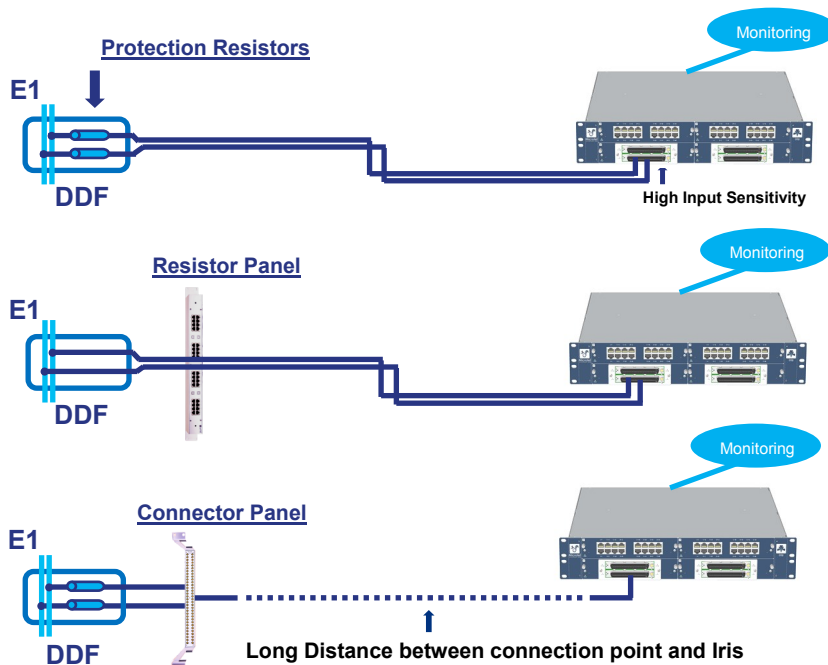
Iris family supports High Speed Links, that can be mixed with Low Speed Links.

The modular architecture based on high speed mid-plane BUS, with redundant power supply and hot swappable input modules (Iris 360), ensures efficiency and better service even in "critical" situations.

BENEFITS

- **Reduce the number of input lines** to the probes: concentrating the traffic to be monitored
- **Save rack space**: high density solution
- **Simplify wiring**: with Connector or Resistor Panel

Iris Easy Wiring: Direct or with Connector / Resistor Panel



Direct

if Protected Monitoring Point **IS** available

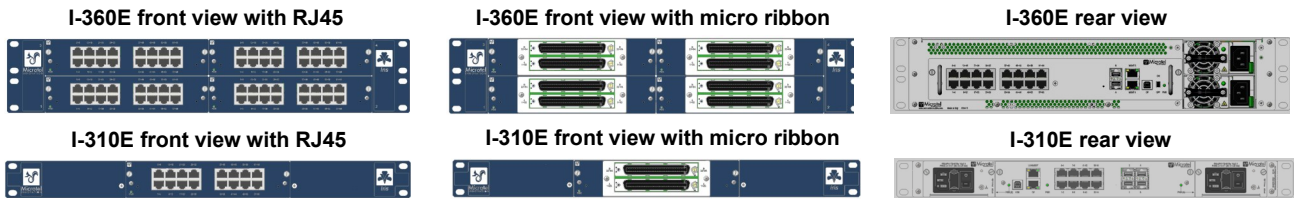
with Resistor Panel

if Protected Monitoring Point **IS NOT** available

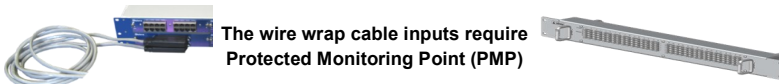
with **Connector Panel** (with PMP) or **Resistor Panel** (without PMP) and **a long distance** between connection point and Iris

HSL and LSL E1 links

Technical features



I-360E & I-310E can be connected to the lines directly, through the RJ45 front panel connectors or, to optimize cabling, using **micro ribbon panel**, through **wire-wrap**, **connector panel** or **resistor panel** (which inserts **20 db attenuation**), while output Ethernet ports are available on the rear.



The wire wrap cable inputs require Protected Monitoring Point (PMP)

- 75 ohm BNC connectors 32 circuits
- 120 ohm IDC termination 64 circuits
- 75 ohm 1.0/2.3 coax connectors 64 circuits

Model	I-360	I-310
Front view		
Input modules (RJ-45 or micro ribbon connections)	Up to 4 input modules with 32 E1 each, total capacity of 128 E1	1 input module with 32 E1
Led power status	ON/OFF for each input module	ON/OFF
Rear view		
Output ports (RJ-45)	8 E1 (for each module), total capacity of 32 E1	8 E1
Console/serial port	1 USB	1 USB
Management /Network LAN port	2 RJ45; 10/100/1000	2 RJ45; 10/100/1000
ON/OFF switch	for each redundant power supply AC/DC, with led power status	for each redundant power supply AC/DC, with led power status
Part number		
1 input module with 16 E1 links (32 Rx) and 8 E1 output		I-310E-B1-16-4/c-z
1 input module with 32 E1 links (64 Rx) and 8 E1 output	I-360E-B2-32-8/c-z	I-310E-B1-32-8/c-z
2 input module with 64 E1 links (128 Rx) and 16 E1 output	I-360E-B2-64-16/c-z	
3 input module with 96 E1 links (192 Rx) and 24 E1 output	I-360E-B2-96-24/c-z	
4 input module with 128 E1 links (256 Rx) and 32 E1 output	I-360E-B2-128-32/c-z	
Additional module including: 32 E1 input links (64 Rx)	I-360-IG-32E/J	
Licence for enabling 16 E1		I-310-L16E
c option: select RJ45 or micro ribbon connectors z option: select redundant power AC or DC		

Management

- WEB based GUI
- Management interface
 - 1 USB
 - 2 Ethernet LAN ports

Operating

- Operating temperature: 0°C to 45°C
- Storage temperature: -20°C to 70 °C
- Relative humidity: up to 90% not condensing

Power

- 220-110 Vac 50-60 Hz power module
- 48 Vdc power module
- Default redundancy
- Max consumption (fully equipped) 300 W (I-360)-150 W (I-310)

Dimensions (I-360E)

- Chassis 2U surface or 19" rack mount 482,6 mm W, 453 mm D, 88 mm H
- Weight: full equipped 17.6 pounds (8 kg)

Dimensions (I-310E)

- Chassis 1U surface or 19" rack mount 482,6 mm W, 453 mm D, 44 mm H
- Weight: full equipped 8.8 pounds (4 kg)



Registered Office & Headquarters

Via Fortunato Zeni, 8 P.IVA & C.F. 04703570285
38068 Rovereto (Trento) Italy R.E.A. TN 218119

Branch Offices

Trento Milano Padova
Tel/Fax +39 0331 540608
info@microtelinnovation.com

UK DISTRIBUTOR

TEST & MANAGEMENT DIAGNOSTIC SOLUTIONS

FRAME COMMUNICATIONS LTD

7 Midshires Business Park
Smeaton Close
Aylesbury
Bucks
HP19 8HL
UNITED KINGDOM

Tel: +44 (0) 1296 678510

Fax: +44 (0) 1296 436247

WEB: <http://www.frame.co.uk>

Email: testinfo@frame.co.uk

