

### BENEFITS

**Increase flexibility:** the same traffic can be sent to different probes for different analysis

**Increase security:** avoiding multiple tapping

**Save space:** high density replicas

### FEATURES

#### TAP links

1U: (2 single optical TAP links) in a single module

2U: (2 single optical TAP links) x 4 modules

The 2 TAP links can be defined as:

- \* 1 or 10 Gbps speed
- \* Singlemode or multimode fiber
- \* Split-ratio value: 50/50, 60/40, 70/30, 80/20, 90/10

#### Ports

Up to 16 (1U) or 16x4 (2U) output ports, configurable for 1G or 10G replicas

#### Replicas

Max 4 replicas for each TAP link in each replicator module

#### Management

- \* Embedded GUI for Web management (HTTPS)
- \* Multi-user access with defined privileges

#### Real Time and Daily Statistics

For each TAP link and for each port: bandwidth, packet counter, packet size, Tx/Rx errors

#### Alarms

SNMP traps

#### Upgrade to Aster 618T (for 1U model)

Through a sw licence possibility to enable filtering&aggregating capabilities on all 16 ports, that become input/output ports



RT-618 2U model

**RepliTAP-618** is the new Microtel series of 1/10G replicators, available in 1U and 2U versions (19" chassis), which can host respectively up to **1** or **4** **TAP Replicator Modules**.

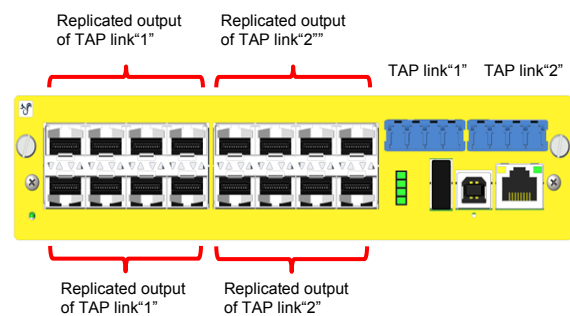
Each **Replicator Module** has 2 single optical TAP links integrated. The two links can be defined as:

- 1G or 10G speed
- singlemode or multimode fiber
- split ratio value: 50/50, 60/40, 70/30, 80/20, 90/10.

Each **Replicator Module** does the the following replicas:

- 1 TAP link x 2 replicas
- 1 TAP link x 4 replicas
- 2 TAP links x 2 replicas
- 2 TAP links x 4 replicas

Each link can be replicated up to 4 times, and the replicas are distributed on the output ports according to the following scheme:



This means that TAP link“1” will be replicated on the 8 ports on the left of the Replicator Module, while TAP link“2” on the 8 ports on the right.

In case of 2U model, the 4 Replicator Modules hosted in the same chassis are independent from each other, this means that each single TAP link can be replicated only on the output ports of the module to which it belongs.

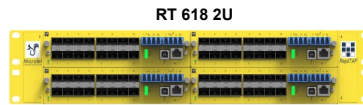


RT-618 1U model can be upgraded to A-618T

This way the replicator 1U becomes a full-features **Packet Broker**, with 16 input/output ports and the 2 optical TAP links integrated.

## Technical features

Front view



RT-618 1U



Rear view



Model	RT-618 2U	RT-618 1U
<b>Front view</b>		
TAP links	(2 single optical TAP links at 1G or 10G) in each replicator module (up to 4)	(2 single optical TAP links at 1G or 10G) in a single replicator module
Output ports (SFP or SFP+ not included)	up to 64 = 16x4 (16 for each of the 4 replicator modules)	up to 16
Port status led	for each output port	for each output port
TAP link signal loss	for each TAP link	for each TAP link
Console port		1 USB
Management/Network LAN port		1x10/100 Mbps with RJ45 connector
Power status led	ON/OFF for each replicator module	ON/OFF
<b>Rear view</b>		
Console port	1 USB	
Management/Network LAN port	1x10/100 Mbps with RJ45 connector (for all 4 modules)	
ON/OFF switch	One for each power supply AC/DC (2), with power status led	One for each power supply AC/DC (2)
<b>Transceiver type</b>		
Copper (SFP)	1000 Base T; 10/100/1000 Base T	1000 Base T, 10/100/1000 Base T
Singlemode (SFP/SFP+)	1000 Base LX (1310 nm), 1000 Base ZX (1550 nm) / 10 GE Base LR (1310 nm), 10 GE Base ER (1550 nm)	1000 Base LX (1310 nm), 1000 Base ZX (1550 nm) / 10 GE Base LR (1310 nm), 10 GE Base ER (1550 nm)
Multimode (SFP/SFP+)	1000 Base SX (850 nm) / 10 GE Base SR (850 nm)	1000 Base SX (850nm) / 10 GE Base SR (850 nm)
<b>Part number</b>		
Main chassis 2U or 1U	<b>RT-618-B2</b>	<b>RT-618-B1</b>
Replicator module, including 16 output ports and 2 (two) 1/10 Gigabit single optical TAP links; up to 1 in 1U model, up to 4 in 2U model	<b>RT-618-2Tsyzz (*)</b>	<b>RT-618-2Tsyzz (*)</b>
Licence to enable 2 (two) x1G replicas, (max 4 for each link); requires 4 x SFP/SFP+ for output ports	<b>RT-618-L1G2R</b>	<b>RT-618-L1G2R</b>
Licence to enable 2 (two) x10G replicas, (max 4 for each link); requires 4 x SFP/SFP+ for output ports	<b>RT-618-L10G2R</b>	<b>RT-618-L10G2R</b>
Upgrade licence to <b>A-618T</b> , required to add filtering&aggregating capabilities on all 16 ports, that become input/output ports ( <b>only 1U model</b> )		<b>RT-618-LFA</b>
Redundant power supply AC or DC	<b>PS2-3/460-AC or PS2-5/460-DC</b>	<b>PS1-3/160-AC or PS1-5/160-DC</b>
(*) Option s (speed): s=G=1G or s=H=10G ; option y (fiber): y=L=singlemode ( 9/125 µm-OS1 ) or y= S=multimode (62.5/125 µm-OM1) or y=F=multimode (50/125 µm-OM3 ) Option zz (split-ratios): zz=55=50/50 or zz=64=60/40 or zz=73=70/30 or zz=82=80/20 or zz=91=90/10		

### Management

- WEB based GUI
- Management interface
  - 1 USB
  - 1 Ethernet LAN ports

### Operating

- Operating temperature: 0°C to 40°C
- Storage temperature: -10°C to 70 °C
- Relative humidity: min 10% max 95% not condensing

### Power

- 220-110 Vac 50-60 Hz hot swap power module
- 48 Vdc hot swap power module
- Default redundancy
- Max consumption: (fully equipped) 350 W (A-620); 150 W (A-618)

### Dimensions (RT-618 2U)

- Chassis 2U surface or 19" rack mount 483 mm W, 453 mm D, 88 mm H
- Weight: (fully equipped) 7.5 kg (16.5 lbs)

### Dimensions (RT-618 1U)

- Chassis 1U surface or 19" rack mount 483 mm W, 440 mm D, 44 mm H
- Weight: (fully equipped) 4 kg (8.8 lbs)

**UK DISTRIBUTOR**

**TEST & MANAGEMENT DIAGNOSTIC SOLUTIONS**

**FRAME COMMUNICATIONS LTD**

7 Midshires Business Park  
Smeaton Close  
Aylesbury  
Bucks  
HP19 8HL  
UNITED KINGDOM

Tel: +44 (0) 1296 678510

Fax: +44 (0) 1296 436247

WEB: <http://www.frame.co.uk>

Email: [testinfo@frame.co.uk](mailto:testinfo@frame.co.uk)

