



octoBox 4x4MIMO1:4 Splitter

4x4 MIMO 1:4 RF splitter/combiner module optimized for the 2 to 6 GHz frequency band for use in high isolation wireless testbeds

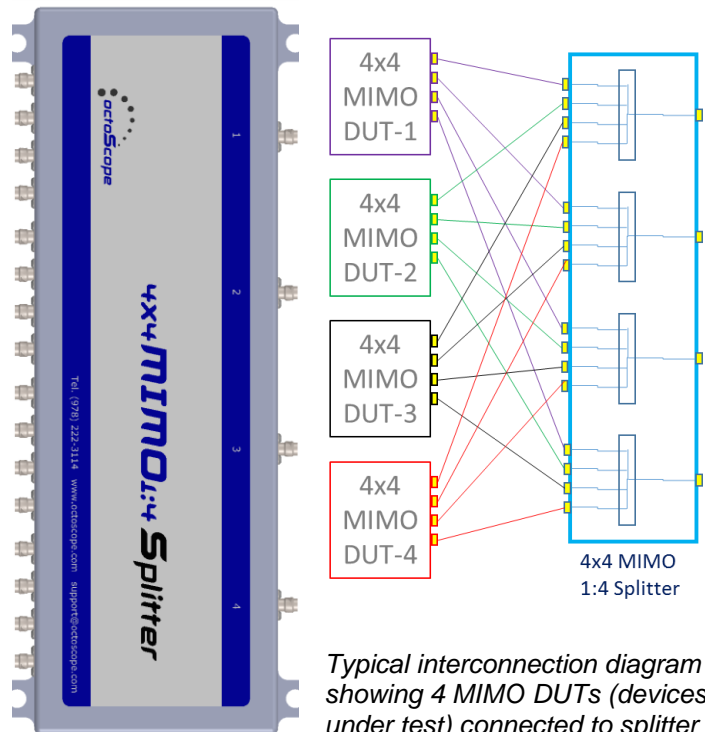
The octoBox™ 4x4MIMO1:4 splitter/combiner module contains 4 matched 1:4 splitters/combiners for combining up to 4 MIMO RF ports into one. Conveniently mountable to the side of the octoBox®, the 4x4MIMO1:4 module can be used for creating wireless testbeds with multi-device topologies that require up to 4 MIMO devices to be coupled together. This module is completely isolated from outside interference and is specifically designed for use in high isolation octoBox testbeds.

APPLICATIONS

- ✚ Wi-Fi (802.11a/b/g/p/n/ac), Bluetooth, D-LTE and LTE-Advanced testing
- ✚ [octoBox testbeds](#), including
 - Video over Wi-Fi and multi-room house
 - Roaming
 - Mesh
 - Wi-Fi Alliance certification

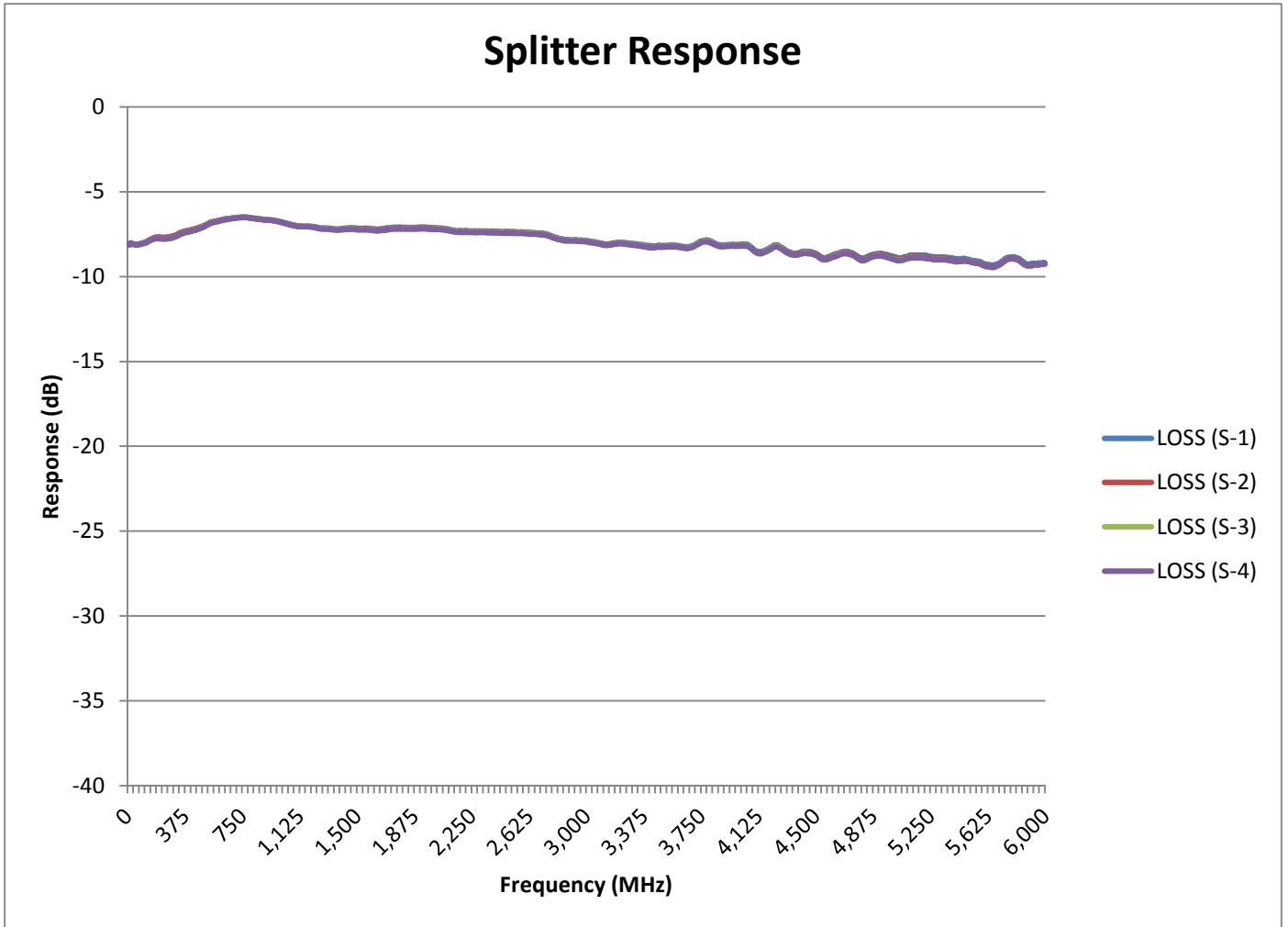
SPECIFICATIONS

- ✚ Frequency range: 700 MHz to 6 GHz
- ✚ Connectors: SMA
- ✚ Insertion loss (above theoretical 6 dB): 1 dB typ.
- ✚ Phase unbalance: 2 degrees typ.
- ✚ Amplitude unbalance: 0.1 dB typ.
- ✚ VSWR: 1.2 typ.
- ✚ Power Input (as a splitter): 10W max.
- ✚ Internal Dissipation: 1.2W max.
- ✚ DC Current (each port): 1A max.
- ✚ Completely isolated from outside interference

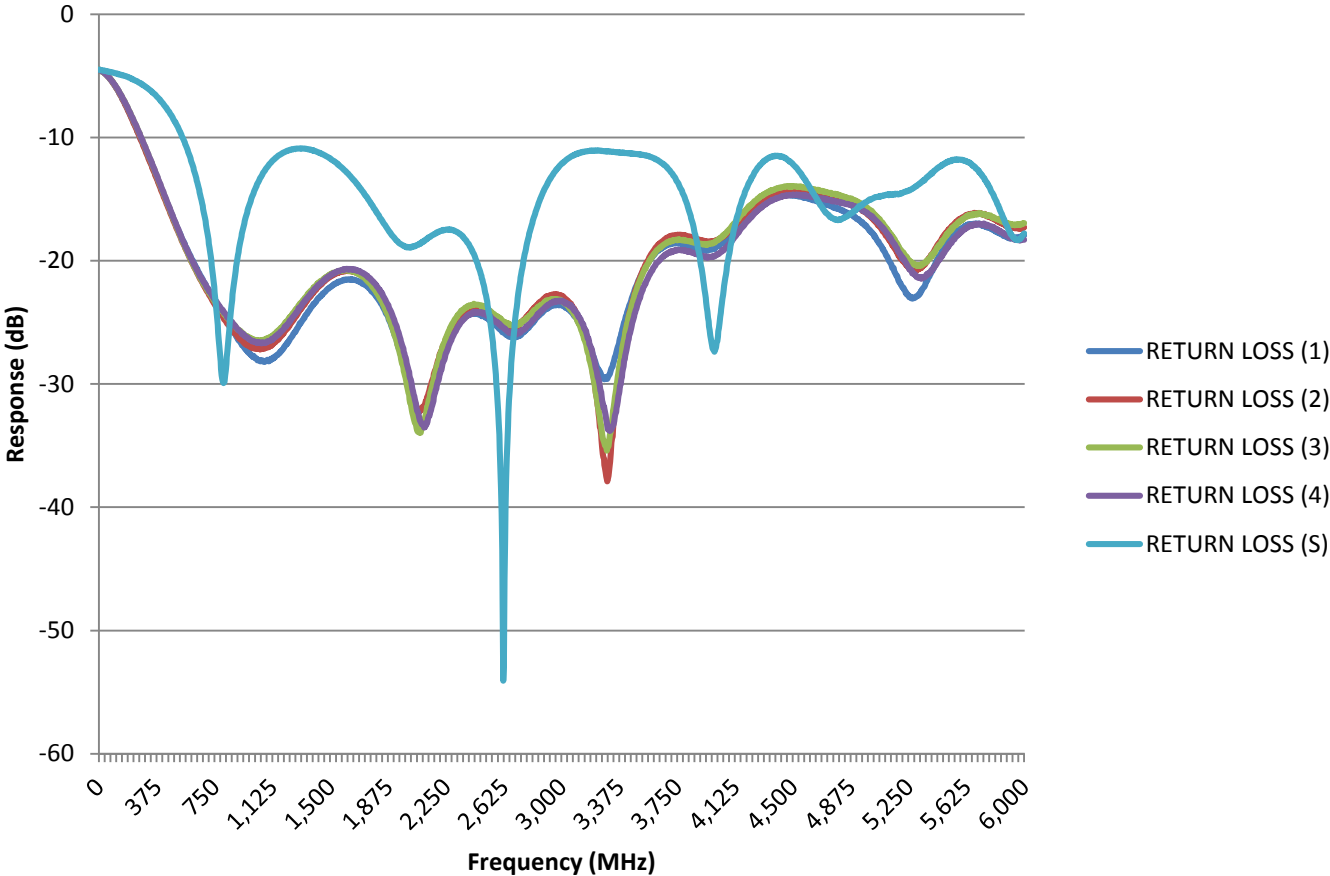


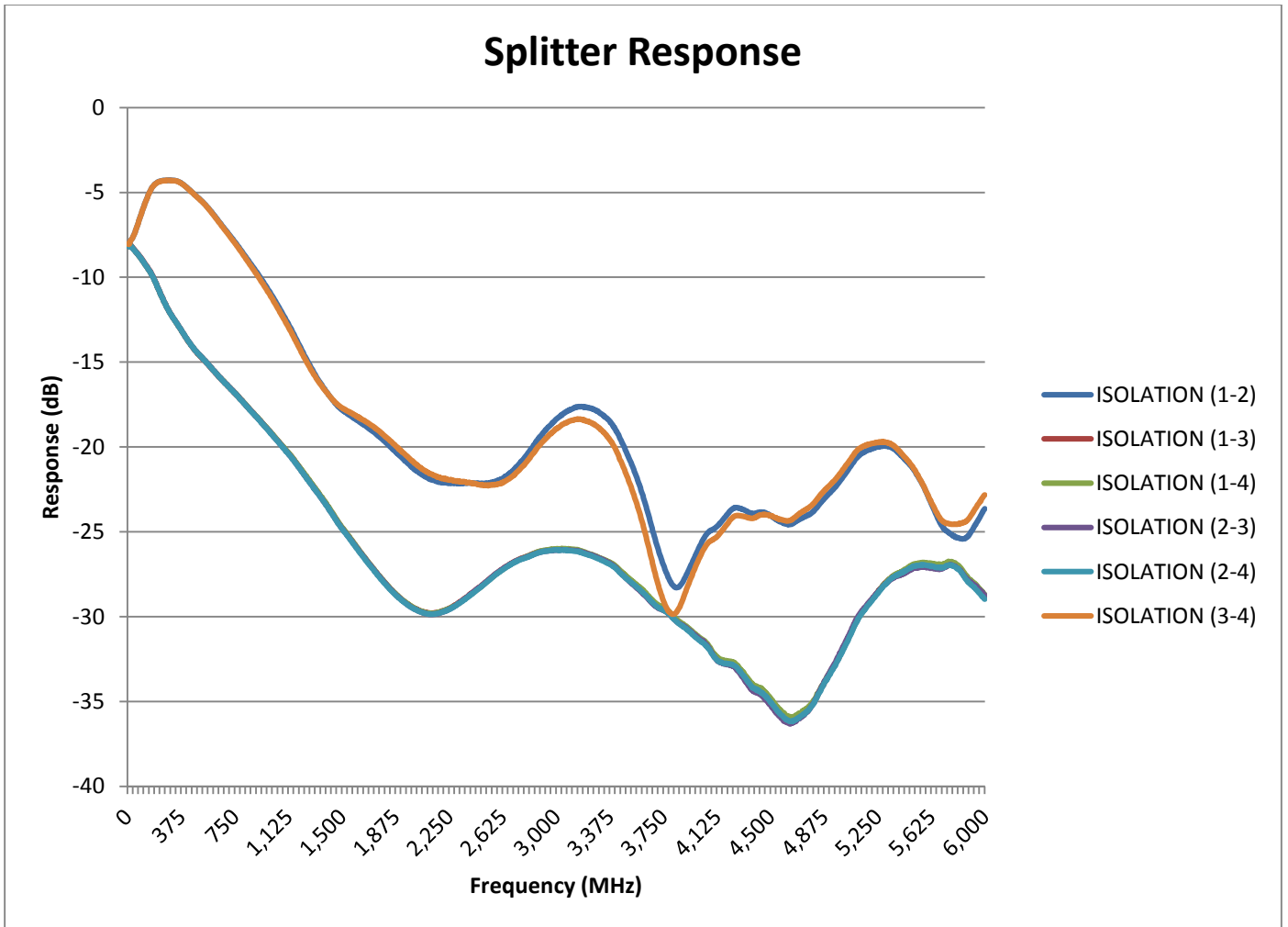
Typical interconnection diagram showing 4 MIMO DUTs (devices under test) connected to splitter ports

TYPICAL RESPONSE CURVES



Splitter Response





CONTACT

octoScope, Inc.
 305 Foster Street
 Littleton, MA 01460
 Tel: +1.978.376.5841
sales@octoscope.com