

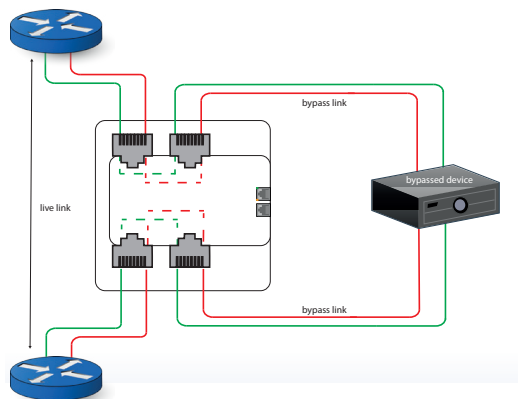
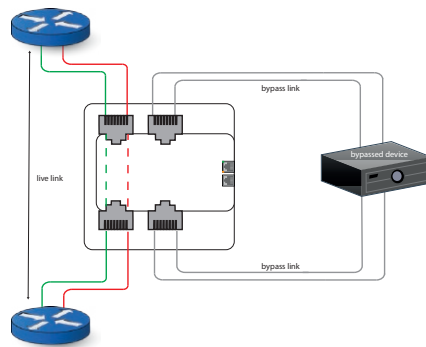
# Cubro 1 Link Copper Bypass

## PRODUCT OVERVIEW



The Cubro Copper Bypass for 10/100/1000 bandwidth per link is realized with 4 telecom relay per link. The switching mechanism offers the reliability of a solid state device. The switch is a latched version, this means it needs only power during switching operation. Even when power fails the optical stays in the programmed state.

The bypass switch can be controlled via RS232 or Ethernet interface, the configuration can be manual or fully automated (example together with a Packetmaster).



The illustrations show the general function of this Base-T switch device, and the switching path in the two modes. The device can also be used stand alone.

## Bypass At a glance

### Definition

A bypass switch (or bypass TAP) is a hardware device that provides a fail-safe access port for fibre links. A closed optical switch creates a path for light to flow unimpeded through the device when power is absent.

### Advantages of Cubro 1 Link Copper Bypass

- Increased reliability on critical network links
- Fail-safe inline protection
- High-speed switching
- LED indicators show power, speed, link, and activity status
- Tested and compatible with most of the monitoring devices

**Functions / Benefits:**

- The Cubro 1 Link Copper Bypass offers trouble free access ports to support the inline network security and monitoring devices.
- The copper switch stays in the programmed state even when the power fails which means the in line traffic continues to flow through the network link but is no longer routed through the device. As a result, the devices can be replaced without network downtime.

**PRODUCT CAPABILITIES / FEATURES**

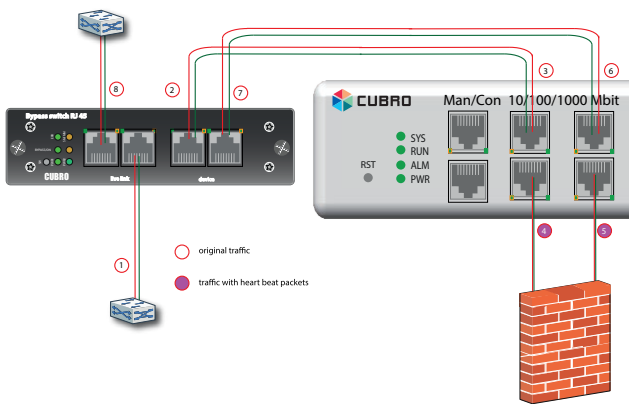
Port	10/100/1000 MBit RJ 45 connector
Layer 1 switching with nearly no delay	2 ps
Relay switching time	2 ms
Link re-establish time	Depending on port configuration up to 3 sec
Easy use and operation	Straight-forward operation via WebGUI or directly controlled from Packetmaster
LED Indicators	LEDs on the front panel indicate power, link and activity status.
Rugged 19" Housing	The unit is delivered in a rugged housing with precise connector labelling on the front panel.
Power	12 V DC dual power supply .
Options to activate the bypass	1) manually via SSH or HTTP 2) power fail 3) smart detection of the bypassed device 4) heartbeat controlled by Packetmaster
Management	HTTP, SSH, RS232

# APPLICATIONS / SOLUTIONS

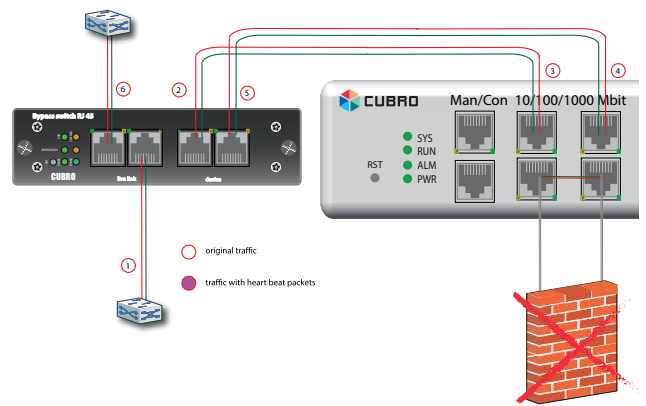
## Copper Bypass Application with EX2

The copper bypass switch in combination with EX2 offers a full bypass solution with heart beat. The heart beat is generated in the Packetmaster. The copper bypass switch is controlled by the Packetmaster.

Live Mode



Bypass Mode



# ORDERING INFORMATION

Product Type & Number	Description
CBR.BYSW-Copper-1-1-R3	Copper Bypass switch, 1 Link, RJ45 connector; 1/3 19" rackmount housing (rackmount kit not included)
CBR.RM19-3	Cubro 19" Rackmount Kit for 3x 1/3 19" units

For more information please check our website [www.cubro.com](http://www.cubro.com)