

# FCP-5 Fibre Connector Cleaning Pen

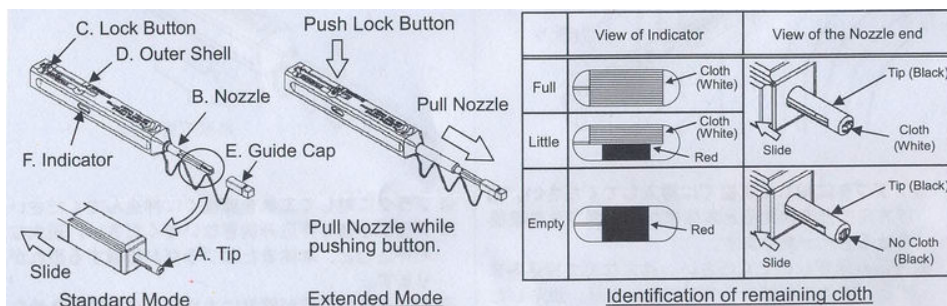
## Product Overview

FCP-5 is a high performance device designed for cleaning the ferrule end faces of MU/LC connectors. It quickly cleans off wastes or greasy dirt from the optical connector end face and guarantees a cleaning result above 95%. FCP-5's anti-static design can prevent secondary pollution after cleaning.

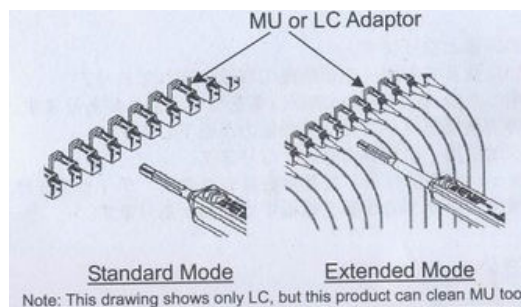
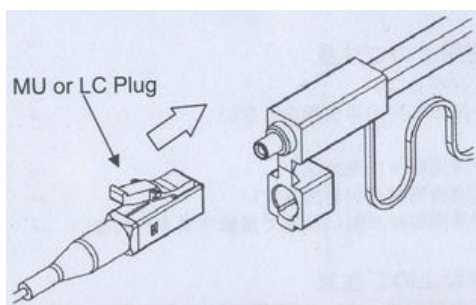
## Features

- Professional applications in MU/LC
- Easily clean the connector inside the adaptor and plugs
- Anti-static design
- Compact and durable

## DEVICE STRUCTURE



## APPLICATIONS



## Specifications

Model	FCP-5-1.25
Cleaning Result	95%-99%
Times	800+
Working Temperature	-10~+50°C
Storage Temperature	-30~+70°C

\* Specifications subject to change without notice

