

LAA6-0575BSC

6-Channel Compact RF Attenuator Array

1. FEATURES

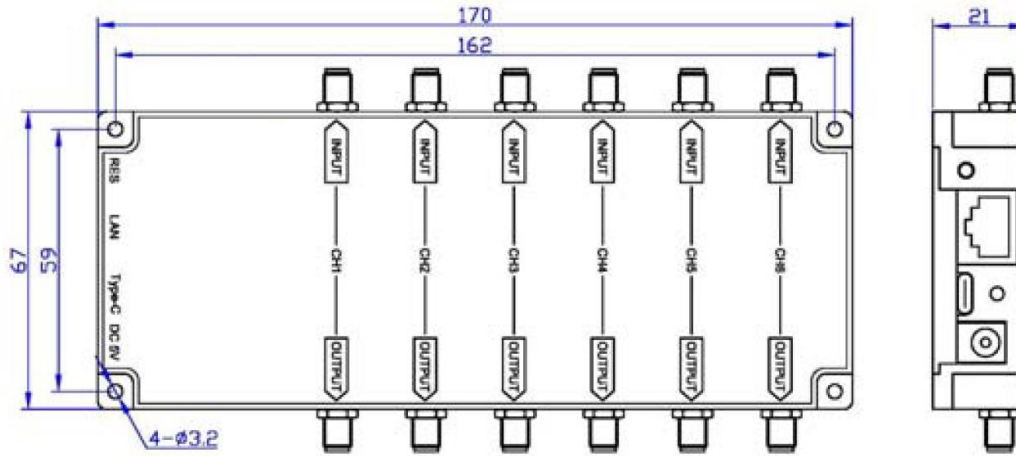
The LAA6-0575BSC is a programmable, 6-channel compact RF Attenuation Array, with a frequency range of 0.5 to 7.5 GHz and attenuation range of 0 to 95 dB with 0.25dB attenuation step. The unit can be easily controlled with LAMTA control software (available separately) via a RJ45 Ethernet interface or USB Type-C cable.

2. SPECIFICATIONS

Frequency Range	0.5 – 7.5GHz
Impedance	50Ω
VSWR	1.5:1 Typical, 2.0:1 Maximum
Insertion Loss	<16dB
Attenuation Range	0-95dB/0.25dB step @ 0.5-6GHz 0-80dB/0.25dB step @ 6-7.5GHz
Attenuation Accuracy	(±0.3+5% Attenuation Setting) dB Typical
Channel to Channel Isolation (0dB attenuation for all Channel)	>80dB
RF Input Power	30dBm
Switching Speed	2us typical
RF Connector	SMA Female
Operating Temperature	-20°C to +70°C
Power Supply	DC Power Supply: +5VDC AC Power Supply: 100-240 VAC @ 47-63 Hz
DC Power Supply Interface	DC005-5.5x2.1, USB (Type-C)
Remote Control	Ethernet (RJ45), USB (Type-C)
Dimension	170 x 67 x 21 mm

6-Channel Compact RF Attenuation Array

3. Dimensions (units = mm)



4. SIGNAL DIAGRAM

